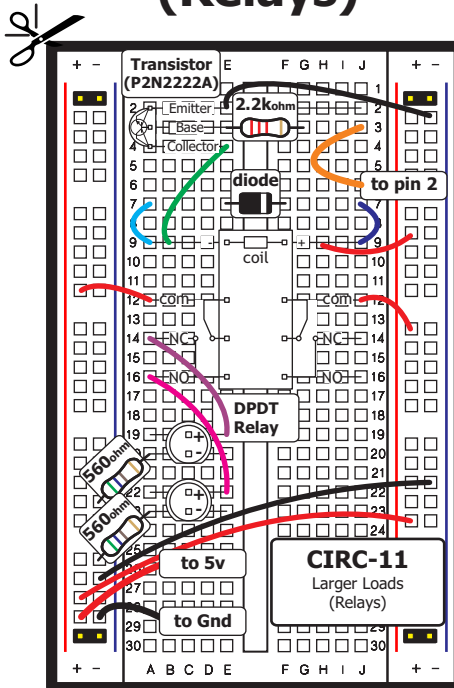


CIRC-11 Larger Loads (Relays)



<http://ardx.org/CIRC11>



Note: Breadboard dimensions vary between manufacturers so some adjustments may be necessary.